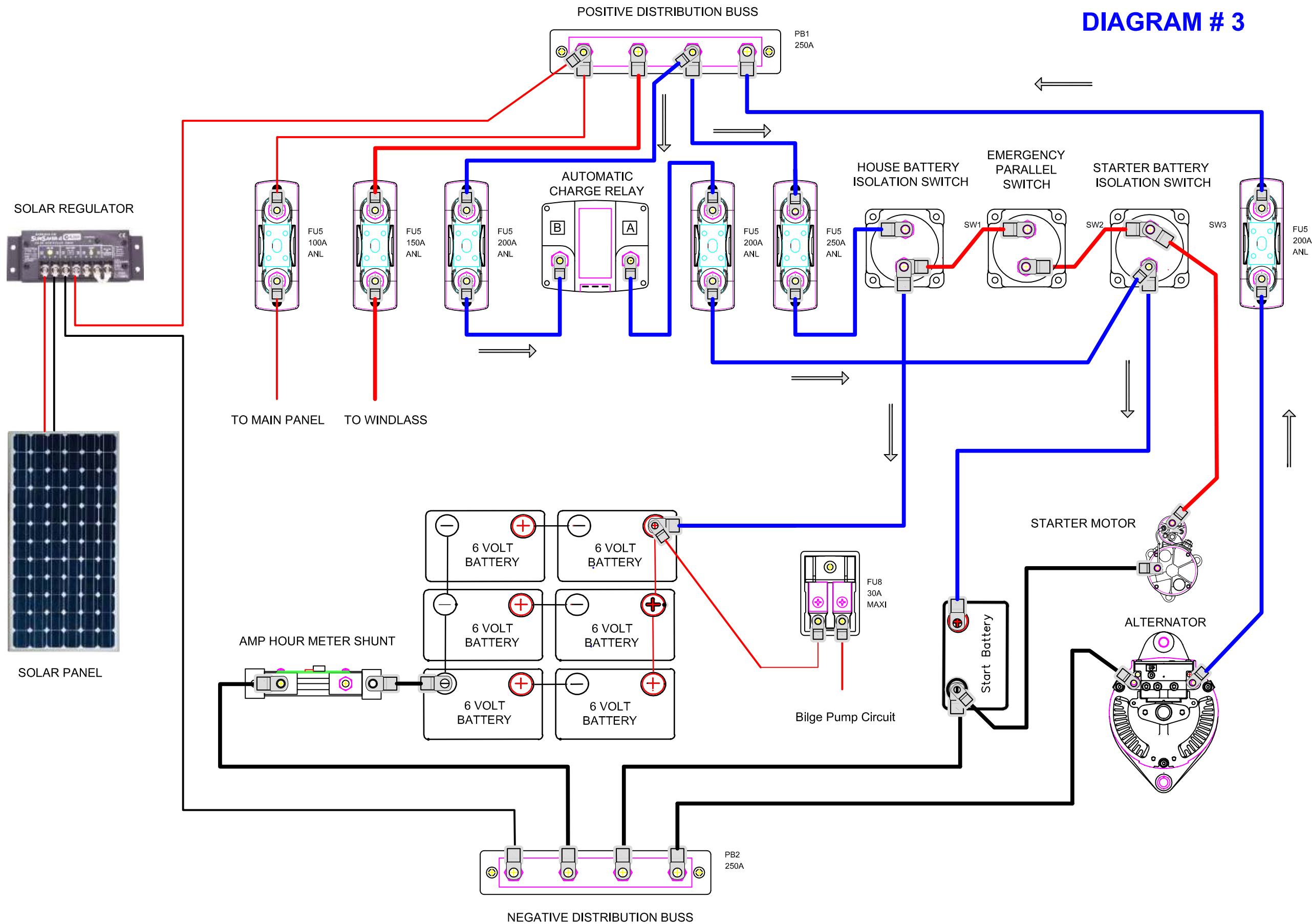


# DIAGRAM # 3



NO.	DATE	REVISION	BY
Dwg Title			
<b>Nautek Marine</b> nautek@shaw.ca (250) 208-9496			
ENGINEER	CHECKED BY		
JOB NO	DRAWN BY <i>James Turnbull</i>		
SCALE	DATE		
No Scale			
DWG NO	DIAGRAM # 3		
SHEET NO	OF		